

DESCRIPTION

The [Orthodox Tea Rolling Machine](#) is mainly used for the twisting work of tea leaves. The function of the twisting machine is different for different tea leaves.

The parts of the rolling machine which contact with the tea are made of stainless steel to ensure that the tea is clean and hygienic.

The support part is made of high-strength alloy steel with a strong load-bearing capacity to ensure the smooth operation of the machine.

The precisely designed steel bar can make the tea shape tighter in the process of forming the bar without damaging the leaves. One of the essential equipment for high quality tea.

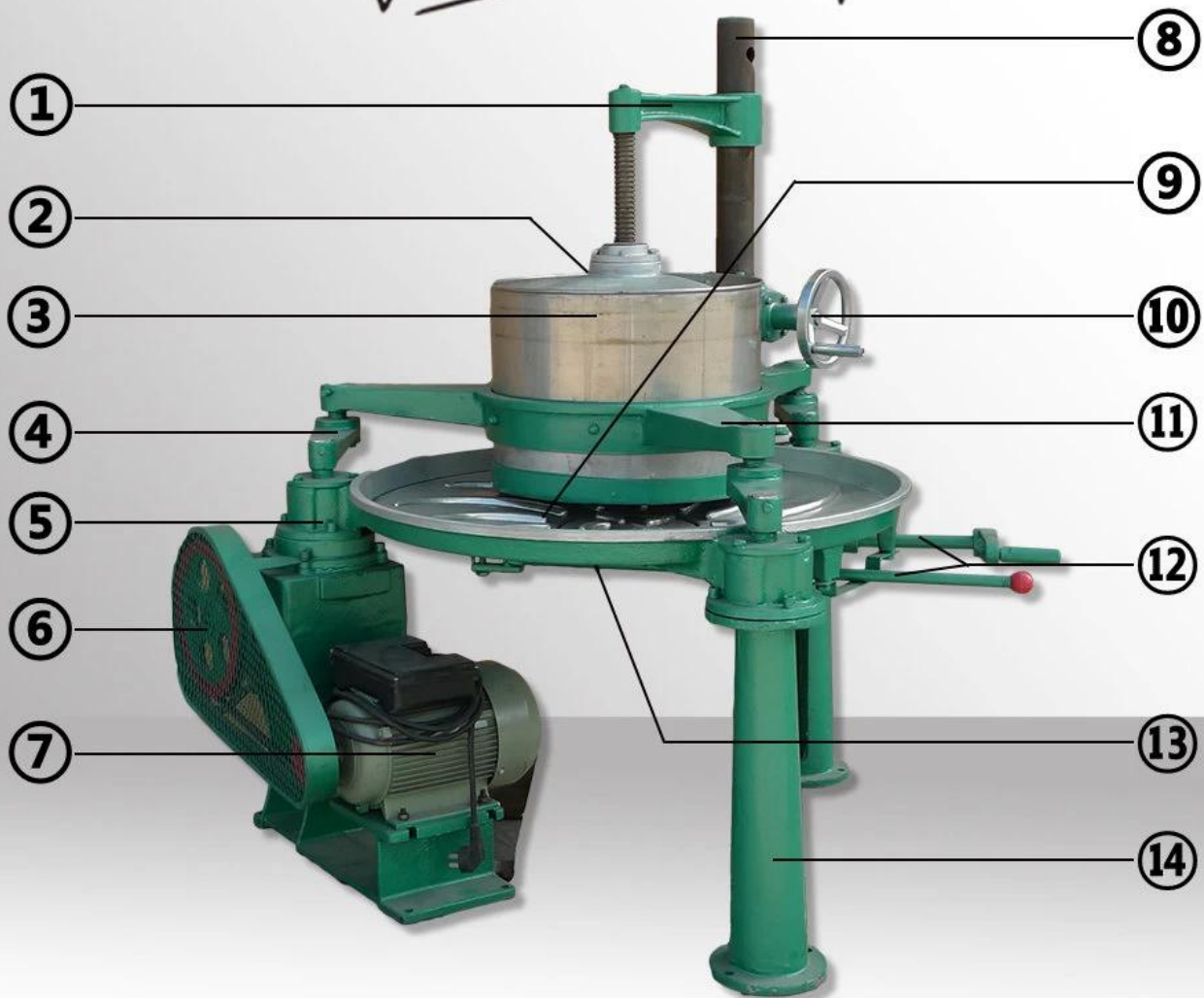
We can provide copper rolling bars and copper rolling machine, contact us if you need it.

ADVANTAGE

1. Enlarged handwheel design, faster lifting of the barrel cover.
2. The supporting part of the machine is made of cast iron, which is strong and durable.
3. The rolling barrel, rolling disc, and rolling bar are all made of stainless steel, which is hygienic and environmentally friendly
4. The distance between the rolling barrel and the rolling disc of each machine is different to ensure that each machine can make the best quality tea.

EXPLODED VIEW

持力. 1052202



Website: delijx.com Email: info@delijx.com
WhatsApp/ WeChat/ Tel: 0086-18120033767

①	Transverse arm	⑧	Support column
②	Barrel cover	⑨	Rolling disc
③	Stainless steel Drum	⑩	Handwheel
④	Crank	□	Support frame
⑤	Transmission case	□	Tea discharge handle
⑥	Transmission belt	□	Tea outlet
⑦	Drive motor	□	Support leg

APPLICATION

[Tea Leaf Rolling Machine](#) is suitable for processing black / green / oolong / white / dark / herbal tea, the following is the working time required for the above tea production.

Type Of Tea	Working Time
Black Tea	30-90 minutes
Green Tea	4-6 minutes
Oolong Tea	4-6 minutes
Herbal Tea	4-6 minutes

The above data is for reference only, and the specific processing time shall be determined according to the actual situation.

SPECIFICATION

[Tea Leaf Rolling Machine](#) specification list:

Model	DL-6CRT-45	
Dimension	910*1080*1280 mm	
Input voltage	380V / 50Hz	
Tea disc diameter	885 mm	
Barrel diameter	450 mm	
Barrel height	280 mm	
Matching motor	Power	1.5 kW
	Speed	1400 RPM
	Rated voltage	380 V
Barrel speed	52 RPM	
Weight	175 Kg	
Max capacity per batch	15 kg/batch	
Capacity for green tea	15-150 kg/h	
Capacity for black tea	15-30 kg/h	

Specification of all of [Tea Leaf Rolling Machine](#).

Model	Barrel Diameter	Barrel Height	Capacity
6CRT-25	25 cm	18 cm	3 kg/batch
6CRT-30	30 cm	21 cm	5 kg/batch
6CRT-35	35 cm	26 cm	8 kg/batch
6CRT-40	40 cm	25 cm	11 kg/batch
6CRT-45	45 cm	28 cm	15 kg/batch
6CRT-50	50 cm	28 cm	20 kg/batch
6CRT-55	55 cm	40 cm	35 kg/batch
6CRT-65	65 cm	48 cm	60 kg/batch

If you have special need, it can be customized according to the needs of customers.

DETAILS



DL-6CRT-45 tea leaf kneading machine made of food grade stainless steel, capacity about 15 kg per batch, for rolling green tea about 15-150 kg per hour, for black tea can roll about 15-30 kg per hour.



Screw rod oblique opening design, the cover of the barrel will automatically rotate when it rises to the top, improving efficiency.



Turbine worm gearbox design, deceleration is stable and durable.



The unique design of the cover of the small and middle rolling machine can be rotated to improve the rate of strip-type tea.

PHOTOS

Assistant
...Delix Tea Machine

1
1/2
力. 105
2005

Tea Rolling Machine

DL-6CRT-45

Voltage: 220V 380V

Power: 1.5 kw

Barrel Diameter: 45 cm

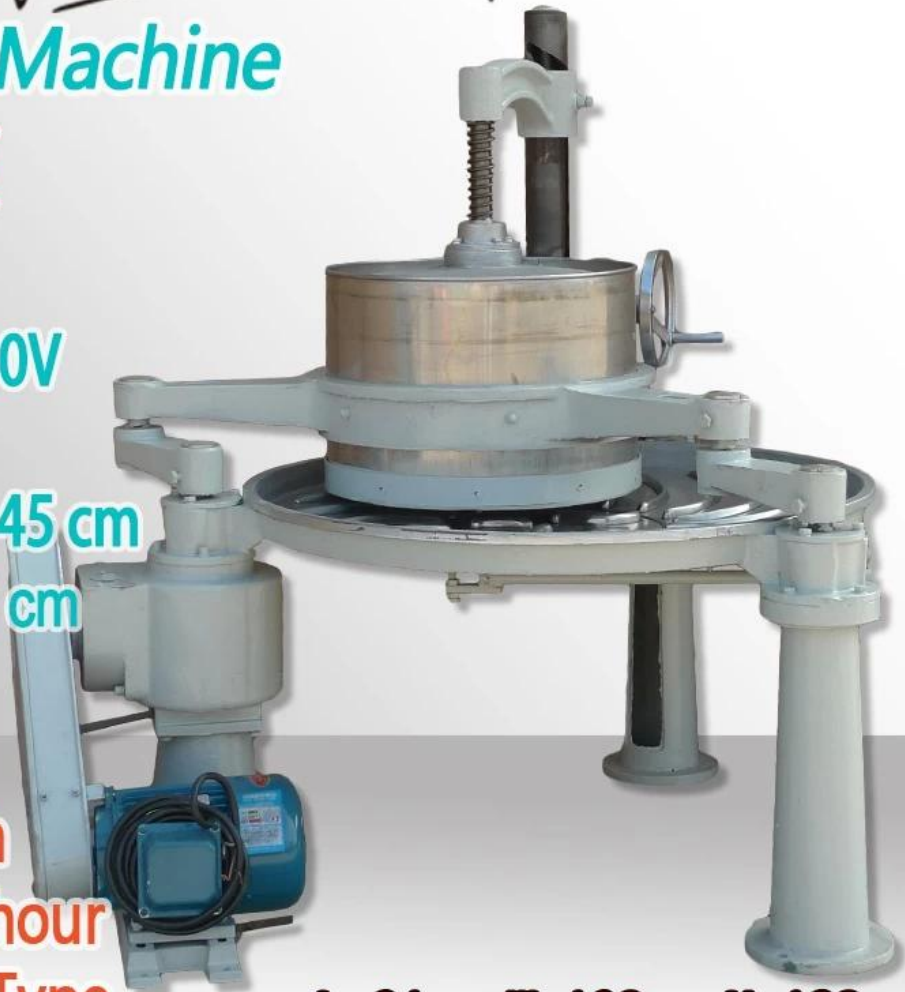
Barrel Height: 28 cm

For All Kind Tea

15 kg Per Batch

30-150 kg per hour

Stainless Steel Type



L:91cm W:108cm H:128cm

Website: delijx.com Email: info@delijx.com
WhatsApp/ WeChat/ Tel: 0086-18120033767





 **Assistant**
-delix machine

DELIX.COM



CONTACT

If you are interested in this product, please contact us to get the price.



↑ ↑ Click the icon to get the latest price directly ↑ ↑



Quanzhou Deli Agroforestrial Machinery Co., Ltd.

12# Dongqing Road, Chengxiang Town,

Anxi County, Quanzhou, Fujian, China (Mainland)

WhatsApp / WeChat: 0086-18120033767

Email : info@delijx.com

Web: www.delijx.com

↓ ↓ You can also leave your contact information at the bottom.
We usually contact you in about 10 minutes ↓ ↓